

Secto Design Oy  
Kauppalaantie 12  
02700 Kauniainen  
Finland  
tel. +358 9 5050598  
fax +358 9 5475 2535  
info@sectodesign.fi  
www.sectodesign.fi

# Secto Design



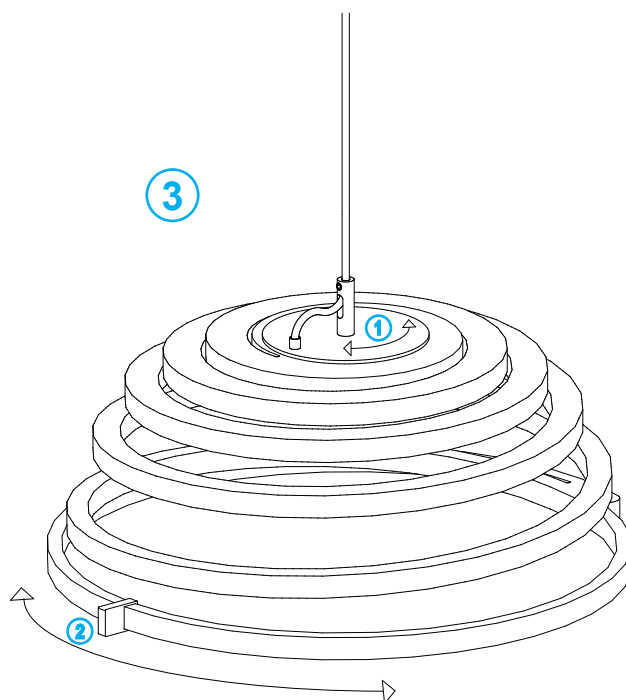
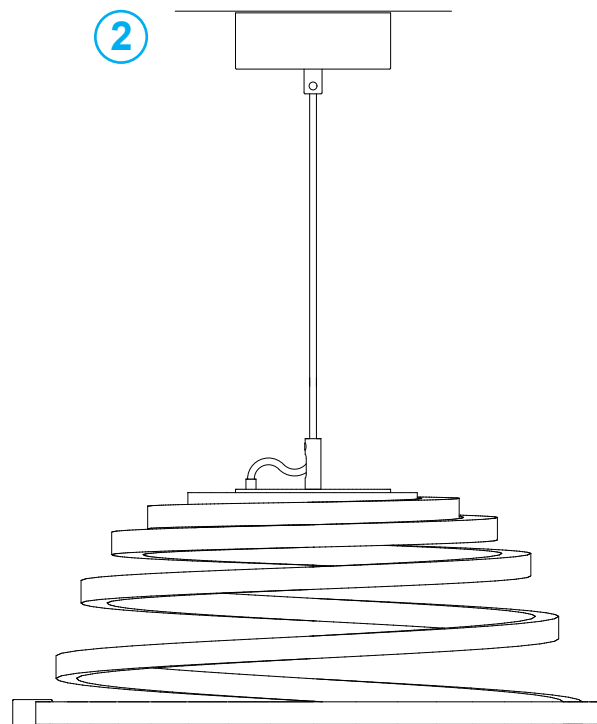
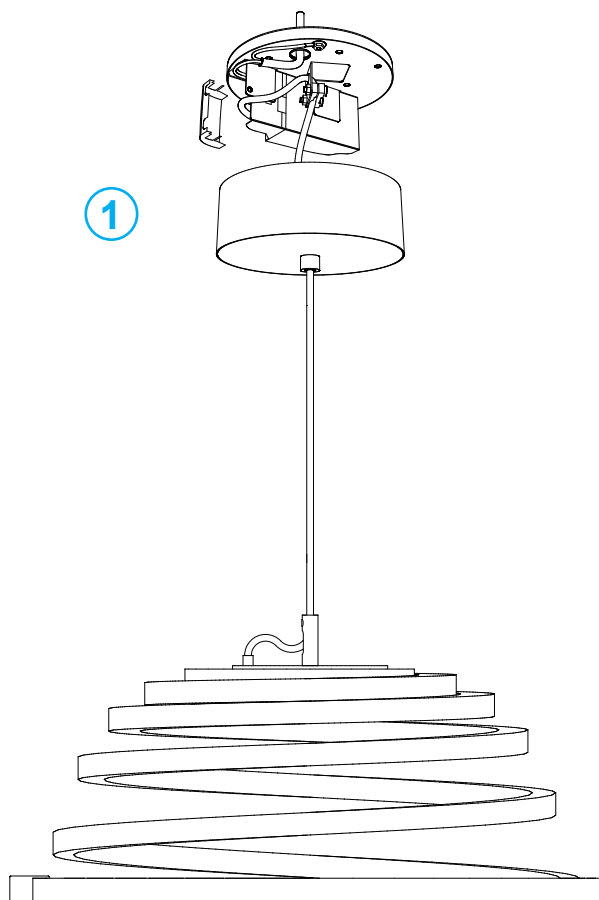
## **Aspiro 8000 pendant** natural birch

- A freely falling spiral shaped pendant
- The shade is made of birch
- Only available in natural birch finish, the cable color can be chosen between a red or black textile cable
- Height of the shade ~ 25 - 35 cm, diameter 50 cm, weight 3,3 kg
- Standard length 200 cm, max 300 cm, heat-resistant, red or black textile cable.
- Black round ceiling cup. Comes with a ceiling plug
- Light source (included): LED, 13W, 3000K, min. 600 lm, trailing edge dimmable.
- Power source: GE/Lightech, trailing edge dimmable
- Power box in a black ceiling cup, size of the cup is 140 x 53 mm
- International Protection Rating: IP20
- Dimension of the box: 13 x 53 x 52 cm, 4,7 kg

# Secto Design

## Aspiro 8000 pendant light

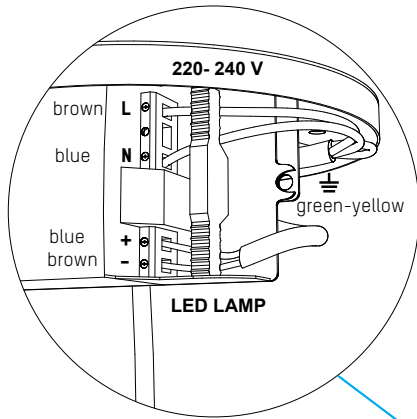
## Technical specifications Assembly instructions



Adjust the balance

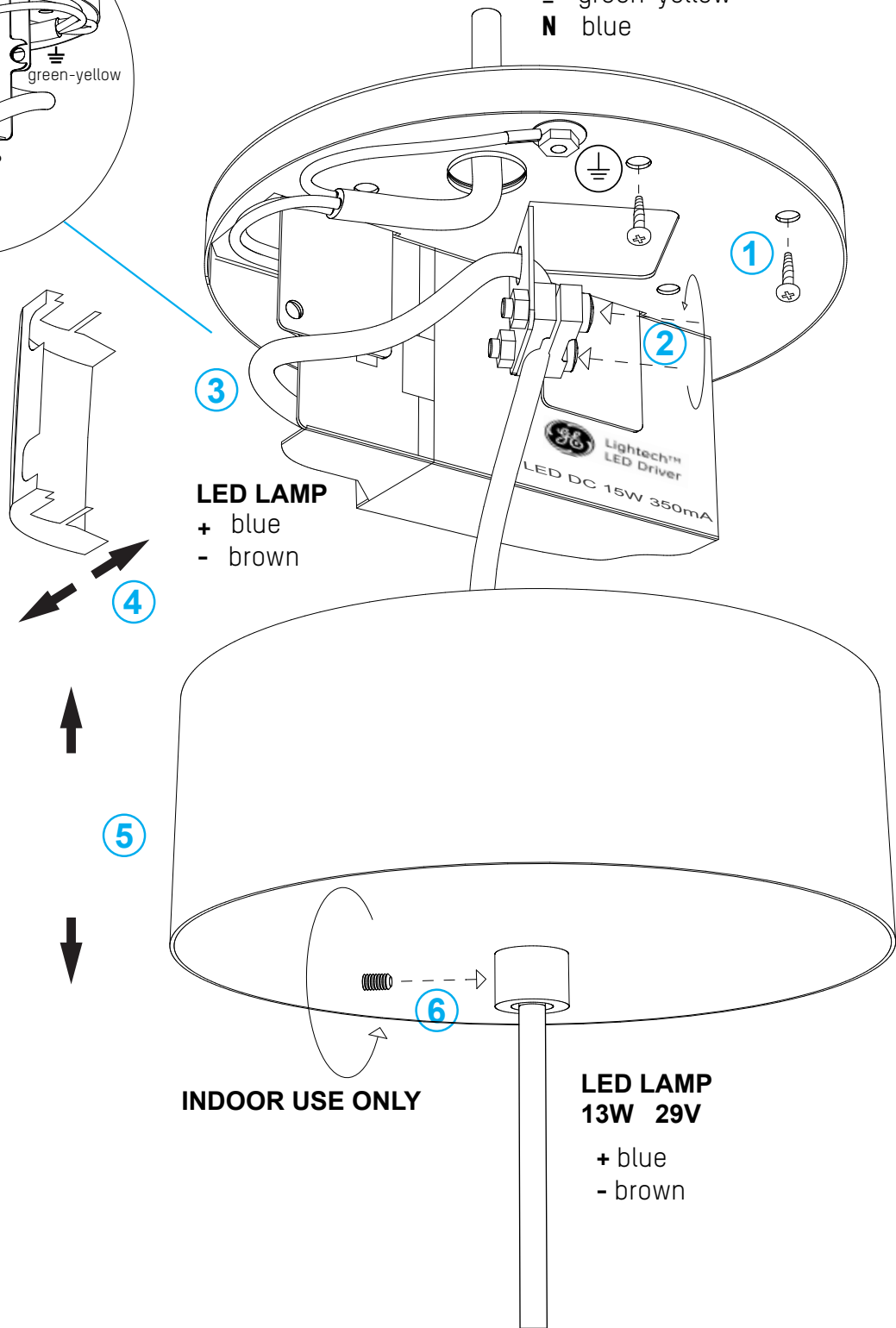
Secto Design Oy  
Sinikalliontie 4, 02630 Espoo, Finland  
Tel. +358 9 5050 598, Fax +358 9 5475 2535  
info@sectodesign.fi, www.sectodesign.fi

**Install in accordance with national and local electrical codes.  
All installation works must be performed with specialized personnel.**



For more specific instruction see the following pages.

**L** brown  
**≡** green-yellow  
**N** blue



<b>Power use</b>	13W
<b>Voltage</b>	220 240V/50/60 Hz
<b>Output</b>	29V 350 mA
<b>Cord length</b>	Standard 2 m, max 3 m, black or red textile cable
<b>Power supply</b>	GE/Lightech, trailing edge dimmable (for more info, check the next page)
<b>Power box</b>	black ceiling cup 140 x 55 mm





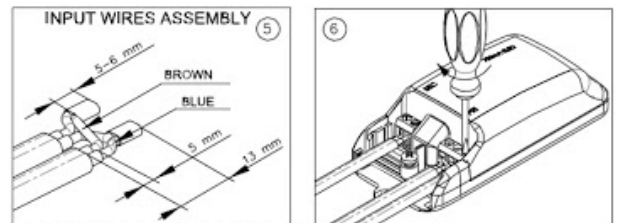
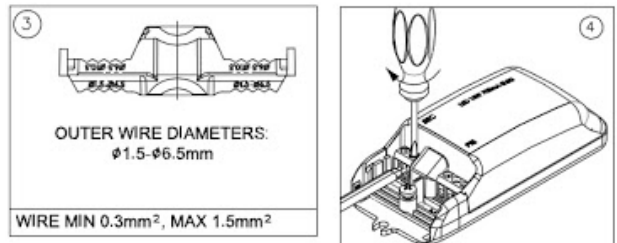
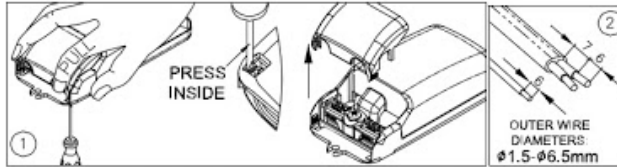
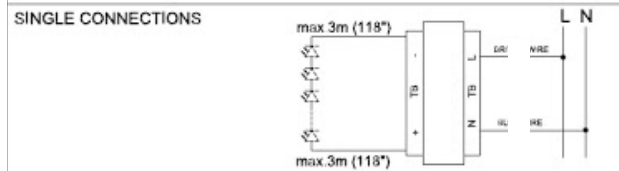
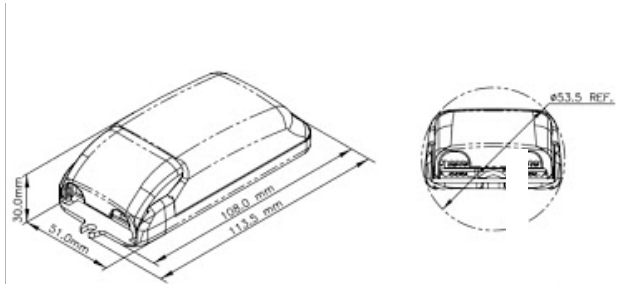
# Lightech™ LED Driver

## LED DC 15W 350mA

901015350ELBD

LED Driver DC CC, Terminal Block

Current: DC



FOR CHAINING CONNECTION WIRE  
MIN 0.3mm<sup>2</sup>, MAX 0.75mm<sup>2</sup>

## Specs

Power: 15.0 W

## Input specs

Power factor: 0.9  
Input current: 0.12-0.12 A  
Input frequency: 50 Hz  
Input voltage: 220.0-240.0 V  
Efficiency: 80 %

## Output specs

Output current: 350.0 mA  
Output voltage range: 21-50 V

## Protections

Over temperature protection: true  
Reinforced insulation: true  
Input voltage surge protection: true

## Environment

Ta min: 0.0 °C  
IP: 20  
Ta max: 45.0 °C  
Tc: 75.0 °C  
Storage temp.: -10...50 °C

## Standards

CE: true  
SELV: true

## Mechanical

Case color: white  
Weight: 0.086 kg  
Case material: Plastic

## Dimmable

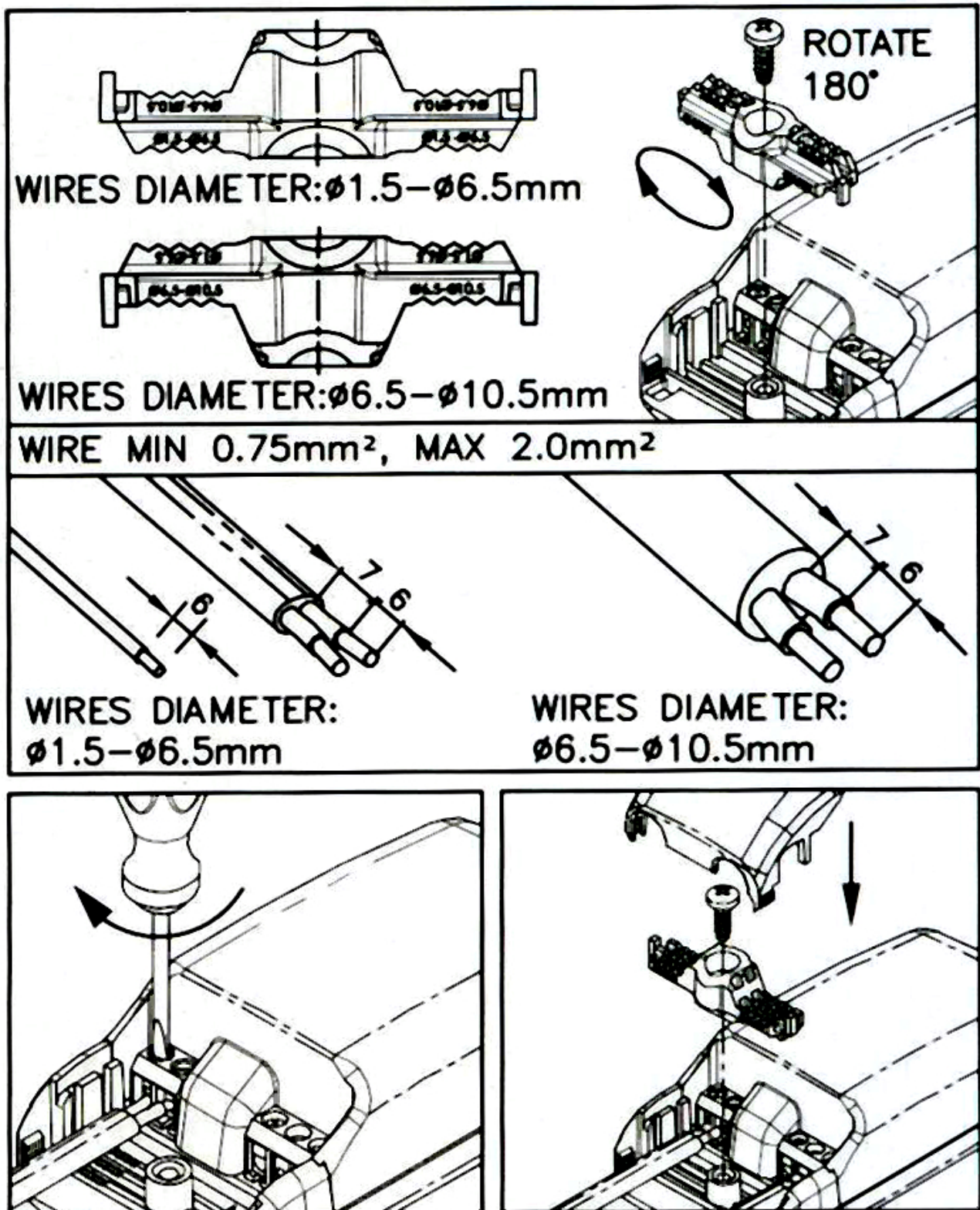
Dimmable: trailing edge type of a dim

## Recommended models in Finland:

Schneider / Artic ATD315R  
Art numero: CCTFL12011  
EAN: 3606480297373  
Sähkönumero: 3512439

ABB/ Valonsäädin, kiertonuppisäädin LED, Jussi  
Art numero: 6523UJGK - 214  
EAN: 4011395151334  
Sähkönumero: 2619344

Please note these are the models in Finland, check with your local electrician for an equivalent in your country!



Notes:

Specifications may vary without notice

Always consult National, State and local electrical codes

Parameters are measured at rated output, rated load and at an ambient temperature of  $25^\circ\text{C}$

Expect slight variation including component tolerance, setup tolerance, line regulation and load regulation

Where grounding/earthing is not indicated, avoid grounding/earthing or contact with grounded/earthed metal enclosures

Performance with dimmers, where supported, may vary depending on dimmer model

Subject to limited warranty (3yr for transformers, 5yr for drivers) terms and conditions as published from time to time

## SECTO DESIGN ASPIRO 8000



This luminaire contains built-in LED lamps.

A<sup>++</sup>

A<sup>+</sup>

A

~~B~~

~~C~~

~~D~~

~~E~~

}  
L  
E  
D

The LED lamps cant be changed in the luminaire.



874/2012